

4

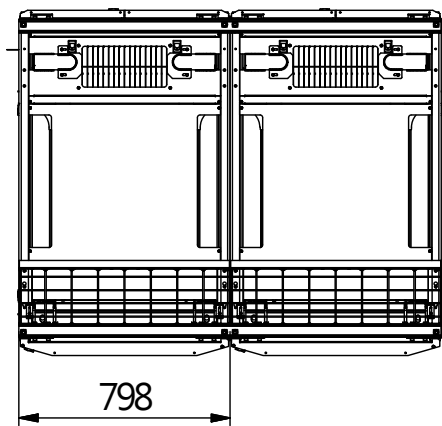
3

2

1

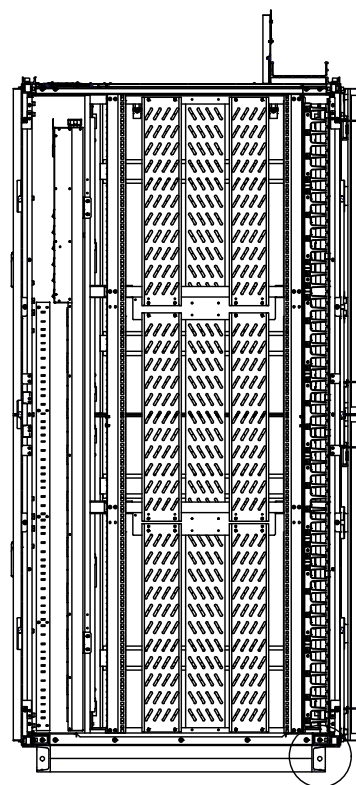
D

D

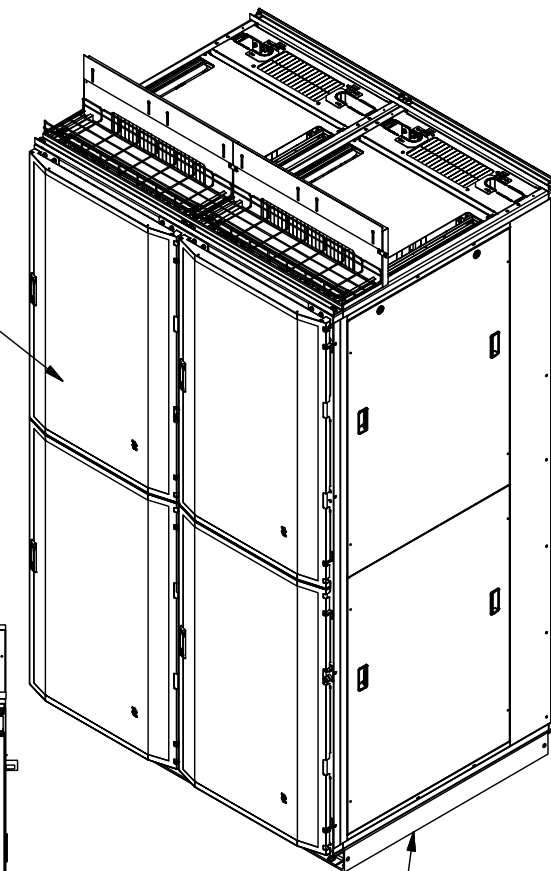
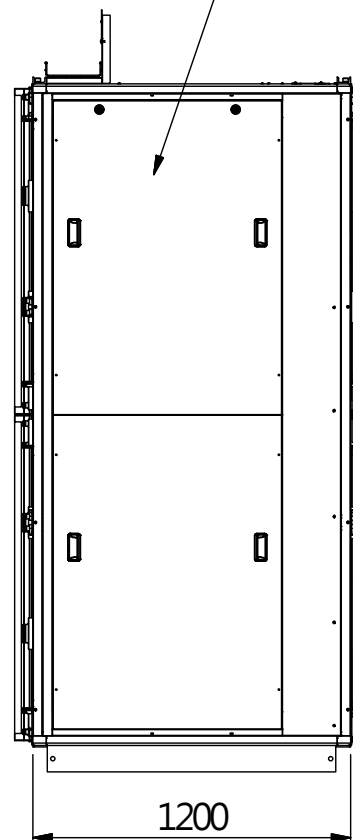


Front single-opening door with hexagonal mesh ventilation holes

A-A (0.035)



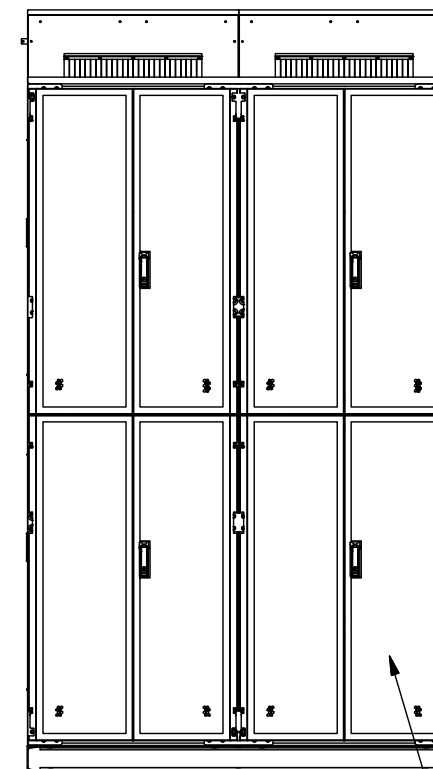
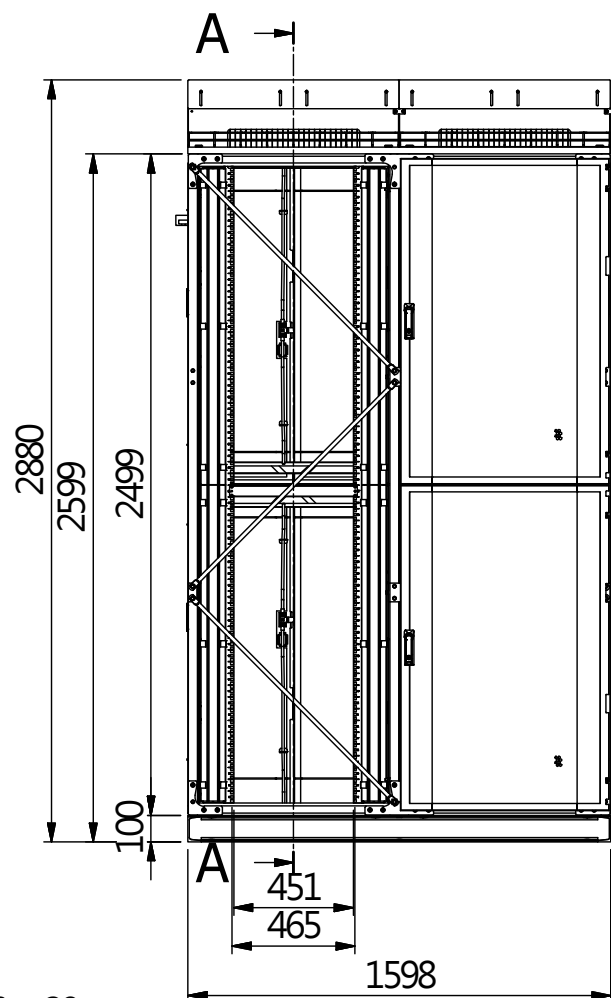
Sectional Removable/Lockable Side Panel



Channel base (optional)

C

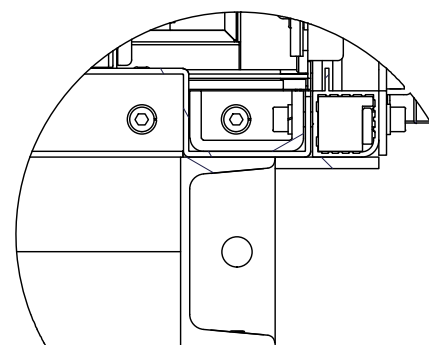
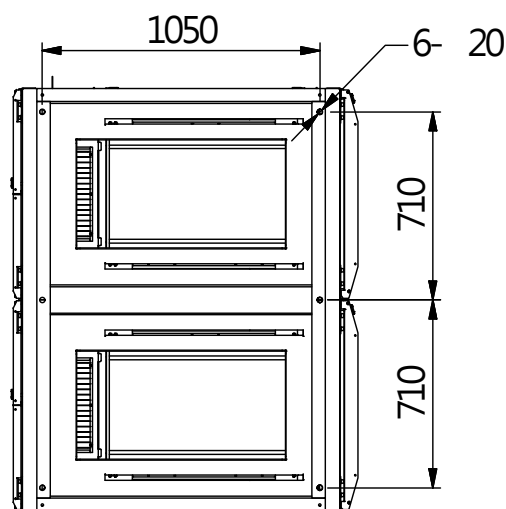
C



Rear double-opening door with hexagonal mesh ventilation holes

B

B



B (0.25)

A

A

PROPRIETARY AND CONFIDENTIAL
THE INFORMATION CONTAINED IN THIS
DRAWING IS THE SOLE PROPERTY OF
ISTARUSA GROUP. ANY
REPRODUCTION IN PART OR AS A WHOLE
WITHOUT THE WRITTEN PERMISSION OF
ISTARUSA GROUP IS
PROHIBITED.

		DIMENSIONS ARE IN MM TOLERANCES: FRACTIONAL ± ANGULAR: MACH ± BEND ± TWO PLACE DECIMAL ± THREE PLACE DECIMAL ±	NAME	DATE
			DRAWN	
			CHECKED	
			ENG APPR.	
			MFG APPR.	
			Q.A.	
			COMMENTS:	
NEXT ASSY	USED ON	MATERIAL		
BY	EA	FINISH		



TCS-54120 Network Rack

SIZE	DWG. NO.	REV.
A3		0
SCALE: 0.035 WEIGHT: 不适用		SHEET: 1 / 2

4

3

2

1

